

## CE-MX30RS5C

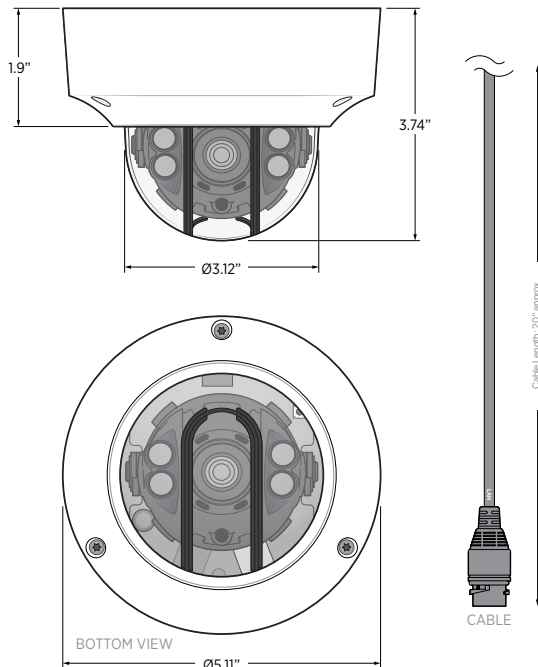
5MP IP Mini IR Vandal Dome



### KEY FEATURES:

- 1/2.8" SONY Starvis 5.14MP CMOS Sensor
- 5MP (2592x1944) Resolution, Up to 30fps
- 2.8mm (f1.6) True D/N Fixed Lens
- 4 IR LEDs
- h.265, h.264, MJPEG, 3 Streams
- Corridor Mode Support
- Micro SD Card Recording \*card not included
- Smart Motion Detection: Person, Vehicle or Bike
- AI Analytics: Area Intrusion, Area Enter/Exit, Line Crossing, Loitering
- PoE
- IP68 Weather Rated
- Mounts to large variety of Conduit Boxes
- ONVIF Profile S
- NDAA & TAA Compliant

### DIMENSIONS:



CAMERA	
Image Sensor	1/2.8" SONY Starvis 5.14 Megapixel CMOS Image Sensor
Lens	2.8mm (f1.6) True D/N Fixed Lens
Field of View	91.2° (Hor.) / 72° (Ver.) / 102° (Dia.)
Minimum Illumination	0.1 Lux (Color) / 0.02 Lux (B&W)
Shutter Speed	1/4 - 1/10,000 sec.
LEDs	4 IR LEDs

VIDEO	
Video Compression	H.264 or H.265 (Main/Baseline/High), and MJPEG
Streaming	3 individually configurable streams
Resolution	Main Stream: 2592x1944 (5MP, 4:3) - 640x360 Second Stream: 1280x720 - 640x360 Third Stream: 640x480 - 640x360
Frame Rate	1-30 fps
Bitrate Control	CBR, VBR, or VBR+ 1st Stream: 512-15,000 kbps 2nd & 3rd Stream: 512-8,000 kbps

NETWORK	
Network Speed	10/100Mbps
Supported Protocols	IPv4, IPv6, IGMP, ICMP, ARP, TCP, UDP, DHCP, RTP, RTSP, RTCP, DNS, DDNS, NTP, SMTP, FTP, UPnP, HTTP
Stream Method	Unicast / Multicast (up to 10 connections)
Compatibility	ONVIF Profile S
Web Viewer	Google Chrome, Edge, Safari, Firefox

SYSTEM	
Analytics	Motion Detection, Area Intrusion, Line Crossing, Loitering, Object Detection: Person/Vehicle/Bike
Alarm Actions	SD Card Recording, Email, FTP

GENERAL	
System	Novatek SoC / 4Gb RAM, 2Gb Flash
Edge Storage	MicroSD Card (up to 256GB) *card not included
Power Requirement	PoE (IEEE 802.3af)
Power Consumption ±10%	Day: 3.2W / Night: 4.6W
Operating Temperature	-20° - 122° F / -28.8°C - 50°C
Operating Humidity	95% RH Max.
Weather Rating	IP68
Mounts to Conduit Boxes	Single Gang, Double Gang, 3/4" & 3/2" Boxes, 4" Oct/Rnd Boxes
Materials	Aluminum Case w/Polycarbonate Dome
Dimensions	5.11" (Dia.) x 3.74" (H) / 129.79mm (Dia.) x 95m (H)
Weight	1.8 lbs / 0.816 kg

ACCESSORIES	
CE-MXWB	Wall Bracket for MX Series Cameras
CE-MXPC	Pendant Cap for MX Series Cameras. 1-1/2" NPS (male)
CE-MXTB	Black Dome Cover for MX Series Cameras
CE-MXTW	White Replacement Dome Cover for MX Series Cameras

### COMPLIANCE:

