

## CE-M16RE-B

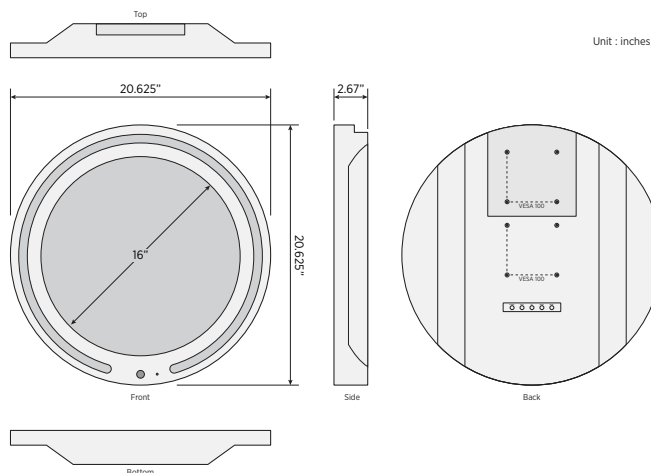
16" Round PVM w/ 2MP IP Camera + Lightbar



### KEY FEATURES:

- Unique 16" Round PVM Instantly Attracts Attention
- Built-In 2MP Clinton IP Camera w/ 3.6mm (f1.6) Fixed Lens
- ONVIF Profile S Conformant Camera: CE-PV40AHN2C
- Configurable Face Detection Boxes (color, line thickness)
- Motion detection triggers LED Lightbar and/or on-screen banner overlay message (*Recording In Progress, Monitoring In Progress, etc...*)
- 960 x 960 Screen Resolution / 1:1 Aspect Ratio
- 700 nit Brightness / 4,000:1 Contrast Ratio
- Steel Bezel & Acrylic Protective Front
- H.264, H.265 & Motion JPEG Compression
- 1 RJ45 Ethernet Port
- VESA 100 (M4)
- DC24V (Power Supply Sold Separately)
- NDAA & TAA Compliant

### DIMENSIONS:



MONITOR	
Display	15.7" Round LCD w/ WLED Backlight
Resolution	960 x 960
Aspect Ratio	1:1
Color Depth	16.7M (8 BIT)
Brightness	700 nit
Contrast Ratio	1000:1
Viewing Angle	89° x 89° x 89° x 89°
Response Time	8ms
Refresh Rate	60 Hz

CAMERA (CE-PV40AHN2C)	
Image Sensor	1/2.8" SONY Starvis 2.1 Megapixel CMOS Image Sensor
Lens	3.6mm (f1.6) Lens
Field of View	84° (Hori.) / 47.8° (Vert.) / 96.4° (Diag.)
Minimum Illumination	0.2 Lux (Color) / 0.04 Lux (B&W)
Shutter Speed	1/4 - 1/10,000 sec.

VIDEO	
Video Compression	H.264, H.265, and Motion JPEG
Resolution	1920x1080 (1080p) to 640x360
Frame Rate	1-30 fps
Bitrate Control	CBR, VBR, or VBR+ 1st Stream: 512-10,000 kbps 2nd & 3rd Stream: 512-8,000 kbps
Streaming	3 individually configurable streams per camera
Storage	MicroSD Card (up to 256GB) *card not included

NETWORK	
Supported Protocols	IPv4, IPv6, IGMP, ICMP, ARP, TCP, UDP, DHCP, RTP, RTSP, RTCP, DNS, DDNS, NTP, SMTP, FTP, UPnP, HTTP, HTTPS, SSL/TLS
Stream Method	Unicast / Multicast
Standards	ONVIF Profile S
Web Viewer	Google Chrome, Edge, Firefox, Safari (MJPEG live view only)

GENERAL	
Mounting	VESA 100 x 100 (M4)
Connectors	1 - RJ45 Ethernet 10/100Mbps
Power Requirement	DC24V
Power Consumption (±10%)	65W / 2.71A
Operating Temperature	32°F - 104°F / 0°C - 40°C
Dimensions (W x H x D)	20.625" x 20.625" x 2.67" 523.875mm x 523.875mm x 67.8mm
Weight	17.8 lbs / 8.07 kgs
Certifications	FCC, RoHS, NDAA, TAA

RECOMMENDED POWER SUPPLY	
CE-PS91	3.75A / 90W Single Monitor Power Supply (24VDC)
CE-PS200	5A / 120W Single Monitor Power Supply (24VDC)
CE-S320-B	25A / 320W Multiple Monitor Power Supply (24VDC)
CE-S600-24-B	12.5A / 600W Multiple Monitor Power Supply (24VDC)

### CERTIFICATIONS:

